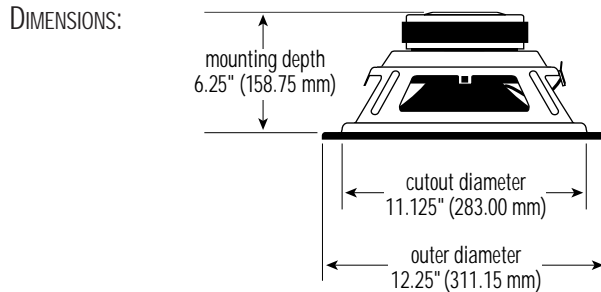


## SPECIFICATIONS

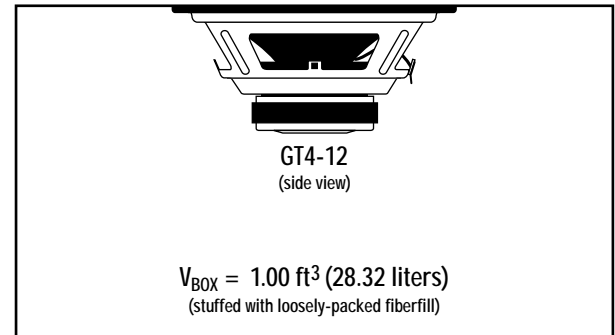
DIAMETER:	12" (300 mm)
SENSITIVITY (2.83 V @ 1 m):	93 dB
POWER HANDLING:	250 W <sub>RMS</sub> (1,000 W <sub>PEAK</sub> )
FREQUENCY RESPONSE:	23 ~ 450 Hz
NOMINAL IMPEDANCE:	4 OHMS
VOICE-COIL DIAMETER:	2.0" (50.8 mm)



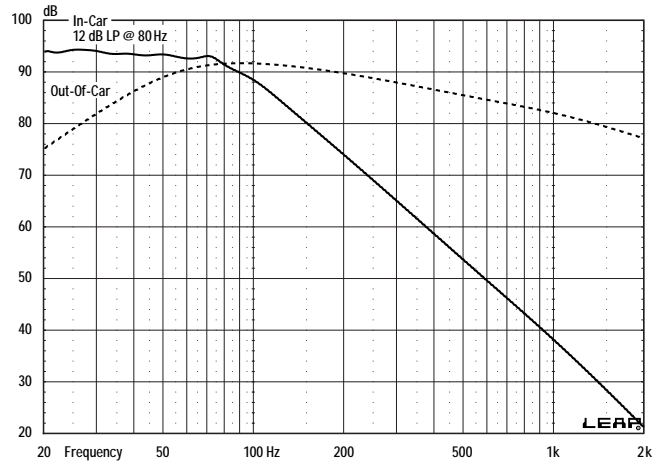
## THIELE-SMALL PARAMETERS

VOICE COIL DC RESISTANCE:	$R_{EVC}$ (OHMS) . . . . .	3.56
VOICE COIL INDUCTANCE @ 1 kHz:	$L_{EVC}$ (MH) . . . . .	2.54
DRIVER RADIATING AREA:	$S_D$ (IN <sup>2</sup> ) . . . . .	82.31
	$S_D$ (CM <sup>2</sup> ) . . . . .	531.00
MOTOR FORCE FACTOR:	$BL$ (TM) . . . . .	14.78
COMPLIANCE VOLUME:	$V_{AS}$ (FT <sup>3</sup> ) . . . . .	3.22
	$V_{AS}$ (LITERS) . . . . .	91.12
SUSPENSION COMPLIANCE:	$C_{MS}$ (μM/N) . . . . .	227.58
MOVING MASS, AIR LOAD:	$M_{MS}$ (GRAMS) . . . . .	181.74
MOVING MASS, DIAPHRAGM:	$M_{MD}$ (GRAMS) . . . . .	174.70
FREE-AIR RESONANCE:	$F_S$ (Hz) . . . . .	24.75
MECHANICAL Q:	$Q_{MS}$ . . . . .	6.46
ELECTRICAL Q:	$Q_{ES}$ . . . . .	0.46
TOTAL Q:	$Q_{TS}$ . . . . .	0.43
MAGNETIC-GAP HEIGHT:	$H_{AG}$ (IN) . . . . .	1.30
	$H_{AG}$ (MM) . . . . .	33.00
VOICE-COIL HEIGHT:	$H_{VC}$ (IN) . . . . .	0.31
	$H_{VC}$ (MM) . . . . .	8.00
MAXIMUM EXCURSION:	$X_{MAX}$ (IN) . . . . .	0.49
	$X_{MAX}$ (MM) . . . . .	12.50

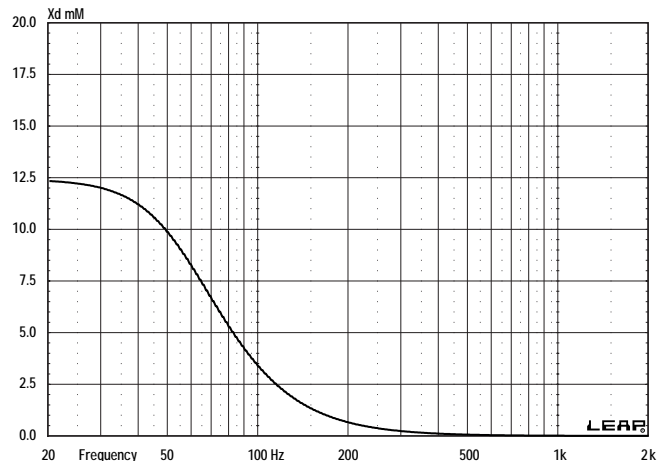
## SEALED BOX VOLUME (INCLUDES DRIVER DISPLACEMENT)



## SEALED FREQUENCY RESPONSE @ 2.83 V



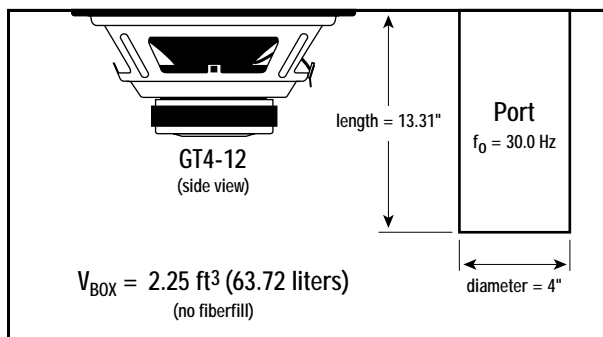
## SEALED TRANSDUCER EXCURSION @ 300 W



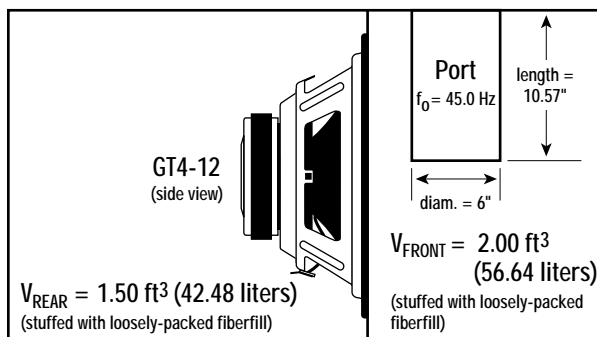


# GT4-12 300mm Woofer – Technical Data

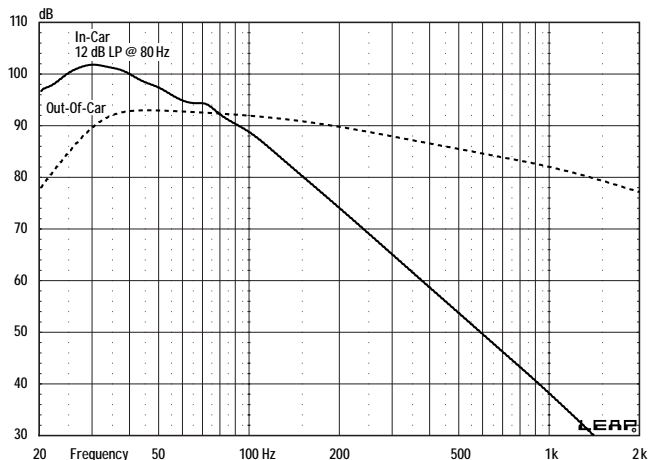
## VENTED BOX VOLUME (INCLUDES DRIVER/PORT DISPLACEMENTS)



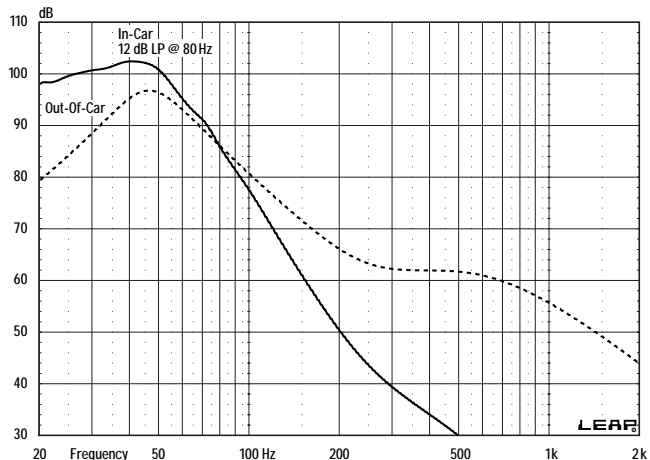
## SEALED BANDPASS BOX VOLUME (INCLUDES DRIVER/PORT DISPLACEMENTS)



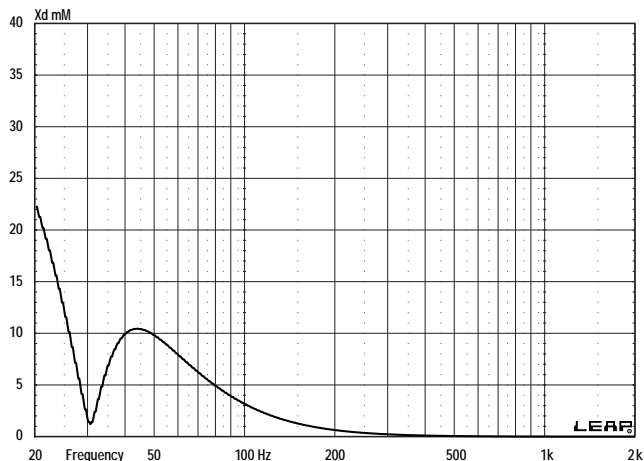
## VENTED FREQUENCY RESPONSE @ 2.83 V



## SEALED BANDPASS FREQUENCY RESPONSE @ 2.83 V



## VENTED TRANSDUCER EXCURSION @ 300 W



## SEALED BANDPASS TRANSDUCER EXCURSION @ 300 W

